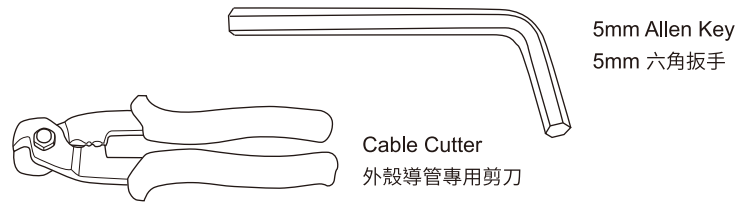


# Advanced Road Brake Cable Set Manual

進階公路車剎車線組 使用說明書

 CICLOVATION.COM

## TOOL 工具



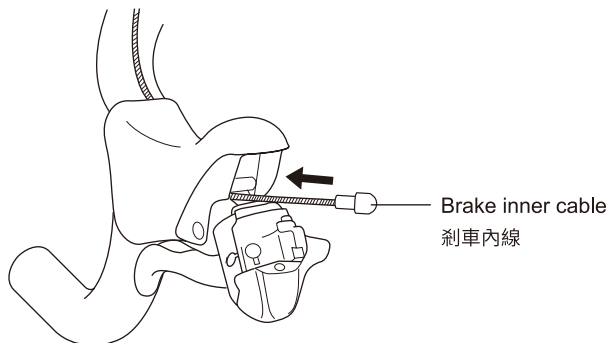
## INSIDE PRODUCTS 整組產品內容



## STEPS 步驟

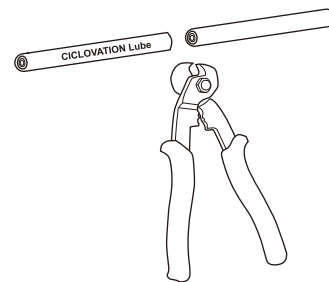
### 1. Pass the brake inner cable through.

將剎車內線穿過手把端。



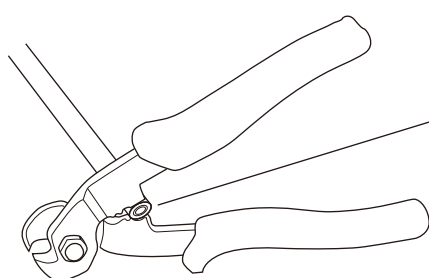
### 2. Use the cable cutter to cut the outer casing to the necessary length for each section.

使用外殼導管專用剪刀，裁切每段實際需求長度。  
(外殼導管長度建議參考原有車上組裝的長度)



### 3. After cutting, use the cable cutter to correct the distortion of the outer casing. And install end caps.

裁切完畢，請使用外殼導管專用剪刀整圓處，將外殼導管因裁切擠壓變形端重新整圓，以利使用順暢；然後再安裝端套。



Make sure that the outer casing is rounded after cutting.

外殼導管裁切後，請確實使用剪刀整圓處再次整圓外殼導管，確保動作順暢。



Contact  
接觸面



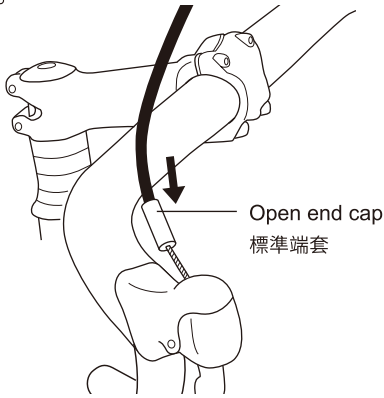
Open end cap  
標準端套

**If the end cap is not securely installed to the outer casing, the outer casing might not operate properly.**

若外殼導管沒有完全裝到端套底部，則會影響作動。

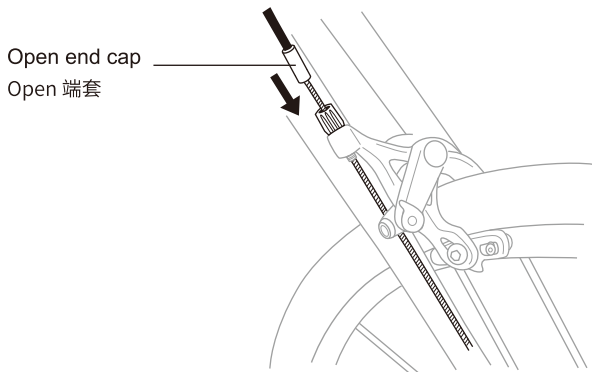
**4. Run the brake inner cable through the outer casing and install the outer casing.**

將剎車內線穿過外殼導管，並將外殼導管組裝於適切的各部位。



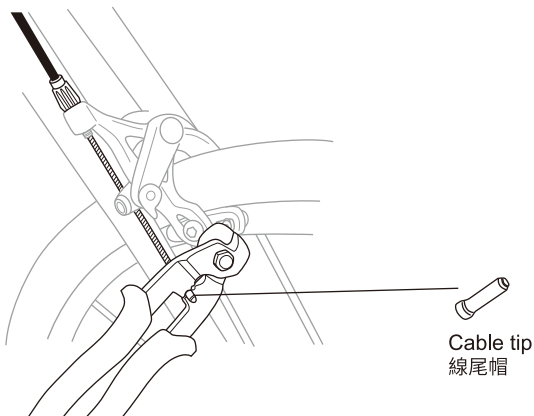
**6. Pass the brake inner cable through brake and seat outer casing using the Open end cap.**

先將標準端套組裝到外殼導管，再將內線穿過已組裝標準端套的外殼導管和剎車夾器的調整螺絲。



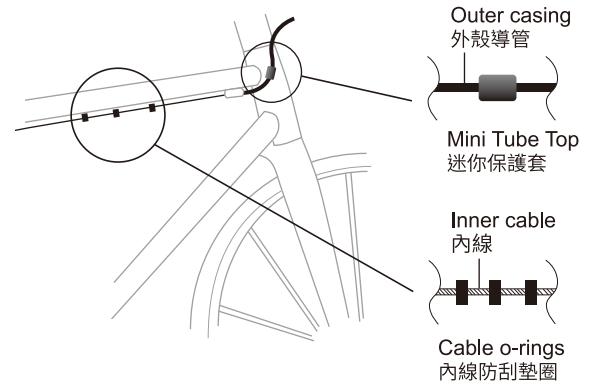
**8. Cut off excess inner cable and crimp the cable tip.**

將多餘的剎車內線剪斷後，套上剎車內線專用線尾帽，並夾緊防止脫落。



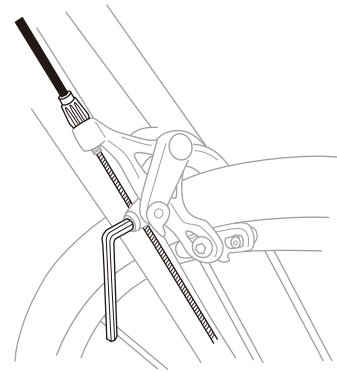
**5. Between the cable stops add the mini tube tops and cable o-rings.**

將防止摩擦車架的保護套、內線防刮墊圈組裝於適切的位置。



**7. Adjust brakes and tighten anchor bolt to recommended torque specifications.**

將剎車內線穿過夾器調整螺絲後，鎖固於螺絲上面。  
(螺絲的鎖緊扭力請參考剎車夾器原廠組裝說明)



**General Safety Information 重要安全資訊**

**⚠ WARNING 警告**

- ▶ This manual is intended primarily for use by professional bicycle mechanics.
- ▶ Users who are not professionally trained for bicycle assembly should not attempt to install the components themselves. Instead, contact your place of purchase or a local bicycle dealer for their assistance.
- ▶ Improper adjustment or service may result in damage to the bicycle or an accident, which can cause serious injury or death.

- ▶ 本使用者說明書供專業且有經驗的自行車技師參考。
- ▶ 若本身尚未向技師或經銷商學會正確的維修方法前，切勿擅自隨意對自行車進行任何調整或保養的動作。故在自行車上安裝零配件前，請先向車店技師或零售車店商進行確認。
- ▶ 使用錯誤的調整或保養，將可能引起自行車的損壞或事故發生，甚至導致嚴重傷亡事故發生。

For installation assistance, please contact your bike shops or email us at: [info@ciclovation.com](mailto:info@ciclovation.com)

如需更多組裝訊息，請與我們連絡：[info@ciclovation.com](mailto:info@ciclovation.com)

All trademarks are the property of their respective owners.  
© Huang's Smart Cycling, Inc